

# 7" move monitor



## specifications



## 7" Move Monitor



### Overview

The 7" Move monitor is a high quality LED touch display interface for vehicles. The move monitor is specially designed to operate in harsh environments such as sustaining extreme shock and vibrations. It offers a sunlight readable touch-panel mountable on a din rail mount or VESA. It also features a dual USB and RS232 touch interface.

### Specifications

Description	Specification
Series	Rail mount LED touch monitor
Display Size	7"
Aspect Ratio	16:9
Contrast Ratio	500:1

Description	Specification	
Monitor Dimensions	Width:	183mm
	Height:	125mm
	Depth:	31mm
Native Resolution	800 x 480	
Support Colours	256K	
Audio	2 x 1W	
Video Input	DVI, VGA	
Power Supply	Type:	External
	Input Voltage:	6-36V DC automotive car/truck suitable
Environment	Operating Temperature:	-30 ~ 70 °C
	Storage Temperature:	-30 ~ 85 °C
Weight	800g	
Power Consumption	6W maximum	
Mount Interface	VESA:	75 mm
	Mount Bracket:	Rail mount & stand alone
OSD Control	Functions:	Brightness, Contrast Ratio, Auto-Adjust, Languages, Function, Reset, sound
Touch Interface	USB and Serial (RS232)	
Certificates	CE, RoHS, e-mark*	



## In the Box

- 7" LED Touch Monitor
- Rail mount stand
- Cables: Power Cable, Serial / USB Touch Cable, Video Cables, Audio in
- Stylus
- Instruction Manual

# Mechanical Drawings

Figure 1: Front and Back View

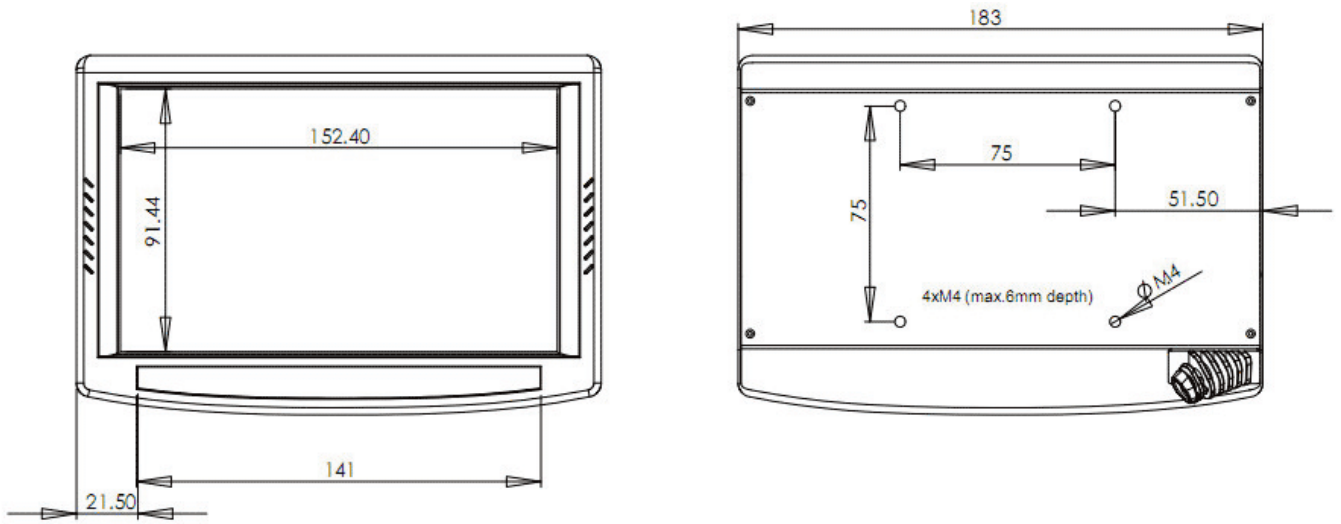


Figure 2: Top and Side View

